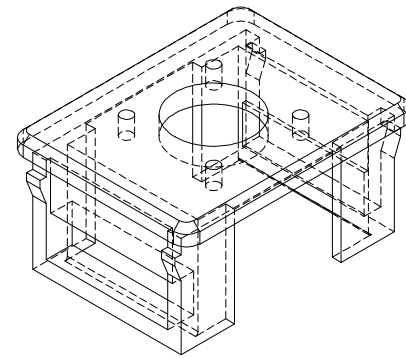
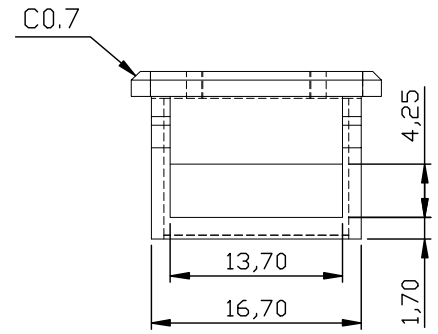
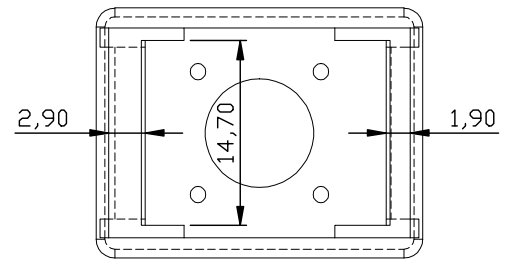
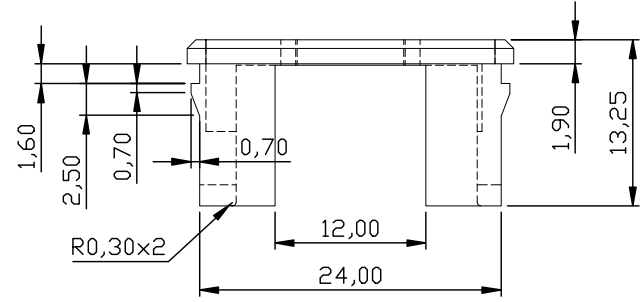
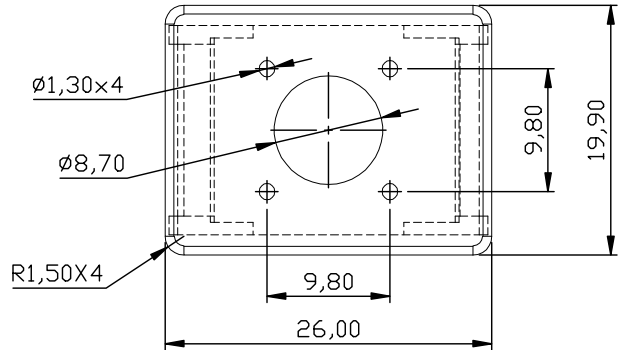


FILE NO.



1	INSERTS	1PC.	ABS WHITE	
NO.	NAME	Q'TY	MATERIAL	NOTE

UNIT: mm	
TOLERANCE	
.X	±0,25
.XX	±0,1
.XXX	±0,05
ANGLES	±1

TITLE:
Keystone Type Insert
(Frame)



DWG. NO. 27-2008-A9
SCALE: 2/1 SHEET of REVISION DATE

DRAWN	DANIEL	DATE	MAR/06/09
CHECKED		DATE	
APPROVED		DATE	