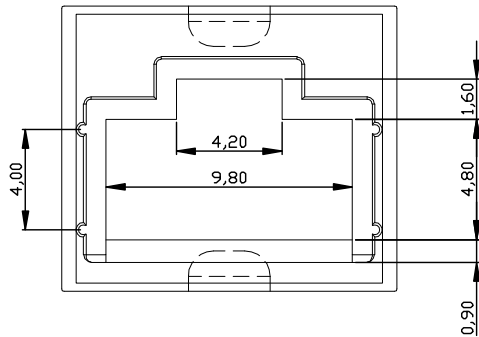
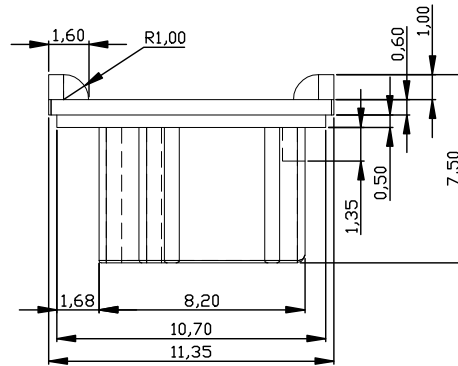
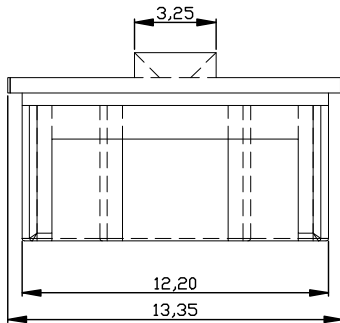
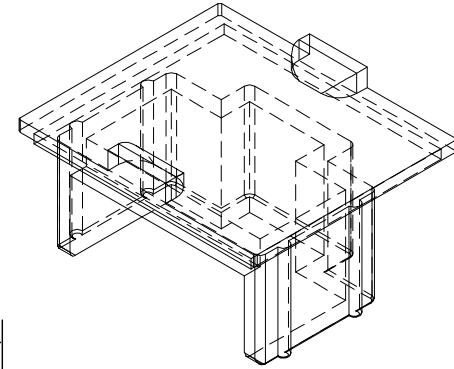
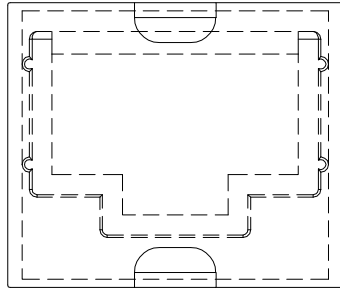


FILE NO.

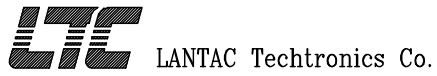


NOTE:  
COLOR: WHITE ; BLACK

NO.	NAME	Q'TY	MATERIAL	NOTE
1	INSERTS	1PC.	PP	

UNIT: mm	
TOLERANCE	
.X	±0.25
.XX	±0.1
.XXX	±0.05
ANGLES	±1

TITLE:  
RJ45 JACK COVER



DWG NO. 30-1011-XX  
SCALE: 4/1

DRAWN	DANIEL	DATE	MAR/13/09
CHECKED		DATE	
APPROVED		DATE	